



DRAFT INDICATORS

501

- SLIM CASE ● HIGH READABILITY SCALE ●
- SILICONE DIAPHRAGM ● HIGH REPEATABILITY ●



SWITZER DRAFT INDICATORS are compact instruments for direct measurement of very low and medium draft pressure, positive, vacuum or differential.

These slim indicators match the performance of larger gauges, yet require only a quarter of the panel space. Full 127mm acrylic scales are easy to read even from a distance, and full size diaphragms are employed to assure a big gauge performance.

Mounting requires a rectangular panel cutout and clamps are provided. Zero adjustment from the rear is possible without dismantling the instrument.

SWITZER maintains a large library of standard scales to fit almost every application.

Standard scales have zero at the bottom of the scale for positive and at the top for negative ranges. For compound ranges, the positive range is at the top.

GENERAL SPECIFICATIONS

Design	HAYS-REPUBLIC, USA	Max. Over Pressure	200 mmWc for spans upto 100 mmWc
Sensing Element	Silicone Elastomer Diaphragm	Max. Process Temp.	80°C
Case	Pressed sheet steel, weather-proof to IP:65, IS:2147	Process Connection	Back; 1/4" NPT(F) standard and 1/8" NPT(F) optional
Case Finish	Baked hammertone grey.	Mounting	Flush panel standard 2" pipe mounting optional
Movement	Electro-polished 304SS pivots		
Range	0 to 25 mmWc minimum span 0 to 1500 mmWc max. span (Pressure, Suction or Differential)		
Accuracy	± 2% for spans above 50 mmWc ± 1 mmWc for spans upto 50 mmWc		

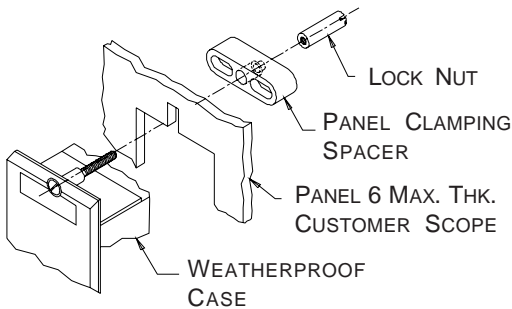
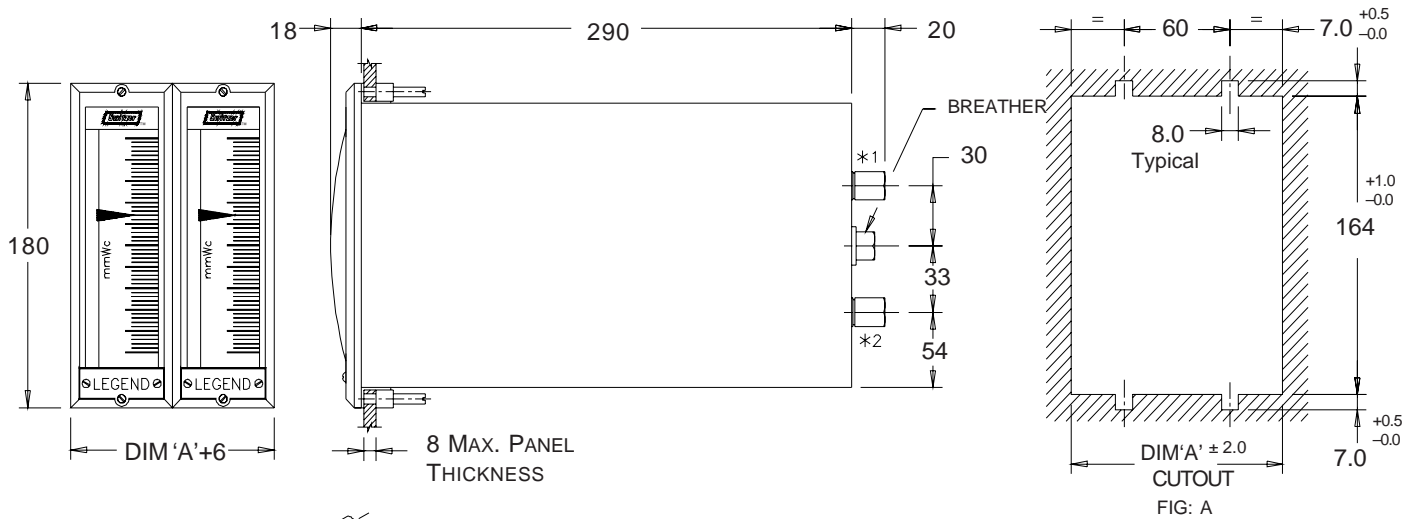


ORDERING MATRIX

STYLE	501	0	1	1	1
SCALE					
Linear _____		0			
Square Root _____		1			
INPUT					
Direct (Single input) _____			1		
Differential (Dual input) _____			2		
RANGETYPE					
Positive range _____				1	
Vacuum range _____				2	
Compound range _____				3	
CONNECTION					
1/4" NPT(F) Back (Standard) _____					1
1/8" NPT(F) Back (Optional) _____					2
Special _____					3

NOTE : Legend will be restricted to 3 lines maximum, with 11 characters in each line. Please furnish legend details in the order.

MOUNTING DIMENSIONS



NOTES:

1. FOR DIFFL. PR. INPUT – CONNECT PORT – 1 FOR HI & PORT 2 FOR LO
2. FOR SINGLE PR. INPUT – CONNECT PORT 2 ALONE
3. FIG.A IS FOR 2 INSTRUMENTS. FOR STACKING ADDITIONAL INSTRUMENTS, AT EVERY 60 mm INTERVALS PROVIDE TWO SLOTS OF 7 mm x 8 mm AS SHOWN (ONE AT TOP & ONE AT BOTTOM) .

No. of Units	1	2	3	4	5	6	7	8
DIM 'A'	54	114	174	234	294	354	414	474

Note : Ask factory for 2" Pipe Mounting Arrangement Drawing.

All dimensions are in mm

This is not a contractual document. Prior notification of changes in specifications is impracticable due to continuous improvement

FOR **SWITZER'S** OFFICES IN INDIA

CHECK AT:

<http://www.switzerinstrument.com/offices.htm>