



ELECTRONIC PRESSURE SWITCH

**Stainless Steel Sensor
Large Display with backlight
High Accuracy**

MODEL 711

- **ANALOG OUTPUT** ● **TWO SETPOINT RELAY OUTPUT** ●
- **MULTIPLE UNIT SELECTION CHOICE** ●
- **FULLY CONFIGURABLE VIA FRONT KEYPAD** ●



SWITZER Model 711 Electronic Pressure Switch is a versatile electronic instrument matching with contemporary designs with all the fundamentally required features for basic control functions.

The instrument is provided with LCD indication, two independent set point On-Off control relay outputs and analog output of 4 to 20mA. Operational settings are done through 3 keys on the front membrane keypad.

The stainless steel pressure sensor and wetted parts are compatible for both liquids and gases. Two relay switching outputs, with independent time delay settings, have status indication LEDs on front of the instrument. Both setpoint and deadband can be set throughout the calibrated range.

The instrument is weatherproof to IP65 and operates with DC power supply. The external electrical connections are through two polarized and lockable plug-in connectors.

RANGE TABLE

Range Code	Range (in bar)	Max. Working Pressure (in bar)
B04	1	2
B06	2	4
B08	3.5	7
B11	10	20
B12	20	40
B64	35	70
B16	100	200
B17	200	400
B18	350	700

ORDERING MATRIX

Basic Model No. 711 - □□□ - □ - □

Range

Select 3 digit code from Range table — □□□

Electrical Connection

Connector ————— C

Connector with 2 meters flying leads ————— F

Mounting

Direct on-line ————— E

2" Pipe ————— C

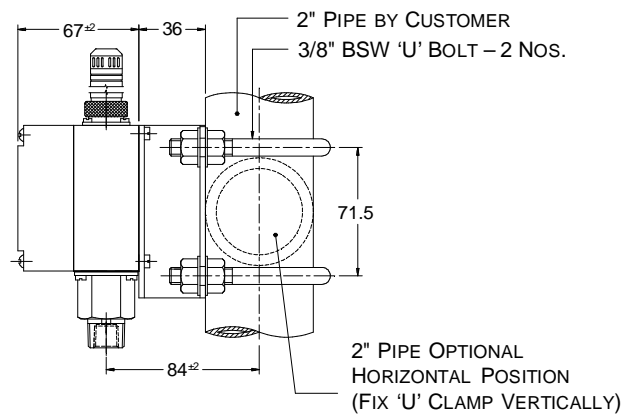
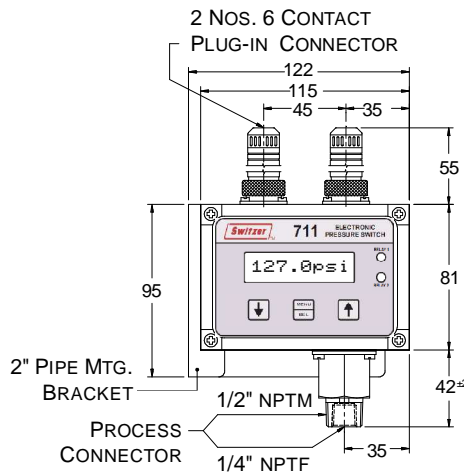
GENERAL SPECIFICATIONS



Characteristics	Specifications
ELECTRICAL	
Range in bar	0 to 1, 2, 3.5, 10, 20, 35, 100, 200, 350
Pressure Sensor	Piezo-resistive SS sensor
Maximum Working Pressure	2x max. range
Accuracy (inclusive of linearity, hysteresis and repeatability)	±0.30% FSR
Power	DC: 20 to 30 V, fully isolated, 3W max.
Electrical Connection (for Power Supply, Analog Output and Relay Contact Output)	Option - C : 2 Connectors – 6 pin circular polarized with locking arrangement
	Option - F : 2 Connectors as above with 2 mtrs cable of 6 core, each core of 20 AWG (0.5mm ²) and maximum OD of 8mm.
Display	
Display	1 x 8 dot matrix LCD with yellow green back light
Display Character Height	10.7 mm
Process Value	4 digits, 9999 counts maximum
Decimal Point	Automatically selected based on engineering units
Display Units Option	5 units – bar, psi, Kg/cm ² (KSC), KPa, MPa.
Analog Output	
Analog Output	Current: 4 to 20 mA
Analog Output Range	Same as instrument calibrated range
Analog Output Load Capacity	400 ohms

Characteristics	Specifications
Relay Contact Output	
Set Points	2
Set Point Range	0 to 9999 counts
Relay Contact Rating	2 independent relay contacts, each with following ratings
	5A at 250V AC / 28 VDC @ 30°C ambient 3A at 250V AC / 28 VDC @ 60°C ambient
Time Delay	0 to 250 secs continuously selectable
Relay Status	Relay ON indication by red LEDs for each setpoint
Dead band	1 to 9999 counts – fully configurable through Relay ON and OFF setting
MECHANICAL	
Enclosure Protection	Die-cast Aluminium Weatherproof to IP : 65
Process Connection	1/2" NPTM & 1/4" NPTF, others through adaptor
Process Connection Material	SS316
Wetted Parts	316 SS, NBR / Viton
Mounting	Direct on line or 2" pipe
Overall Dimension	Front bezel: 115(w) x 81(h)
	Overall size: 115(w) x 178(h) x 67(d)
Approximate Weight	680 gms
Process Temperature Limits	-40°C to 120°C
Ambient Temperature Limits	0 to 60°C
Ambient Relative Humidity	95%

MOUNTING DIMENSIONS



All dimensions are in mm

This is not a contractual document. Prior notification of changes in specifications is impracticable due to continuous improvement

Switzer Switzer Instrument Limited

SALES – HEAD OFFICE

17, South Boag Road, Chennai 600 017
Ph : 044-2434 0999 / 4321 **Fax** : 044-2434 7887
e-mail : sales@switzerinstrument.com

SALES OFFICES

Bangalore **Phone**: 080-22262613 **Fax** : 080-22257392
e-mail : bangalorebr@switzerinstrument.com

Chennai **Phone**: 044-24340999 / 24344321 **Fax** : 044-24347887
e-mail : chennaibr@switzerinstrument.com

Hyderabad **Phone** : 040-27811082
e-mail : hyderabadbr@switzerinstrument.com

Kolkata **Phone**: 033-24659108 **Fax** : 033-24659109
e-mail : kolkatabr@switzerinstrument.com

Mumbai **Phone**: 022-25796284 / 25796365 **Fax** : 022-25780648
e-mail : mumbaibr@switzerinstrument.com

WORKS OFFICE

127, Sidco North Phase, Ambattur Estate, Chennai 600 050
Ph : 044-2624 2255 / 3355 **Fax** : 044-2624 8849
e-mail : works@switzerinstrument.com

New Delhi **Phone**: 011-25706955 **Fax** : 011-25708492
e-mail : delhibr@switzerinstrument.com

Pune **Phone**: 020-27149667 **Fax** : 020-27149667
e-mail : punebr@switzerinstrument.com

Vadodara **Phone**: 0265-2322906 **Fax** : 0265-2331649
e-mail : controlmatic@switzerinstrument.com

Vizag **Phone**: 0891-2516682 **Fax** : 0891-2516682
e-mail : essviz@switzerinstrument.com

web-site
www.switzerinstrument.com