



LOOP POWERED INDICATORS

K – 5105

K – 5106

- HIGH ACCURACY AND RELIABILITY ● LIQUID CRYSTAL DISPLAY ●
- HIGH PROTECTION AGAINST FORWARD AND REVERSE CURRENT ●
- DECIMAL POINT SELECTION ● PANEL AND FIELD MOUNTING ●



Switzer K – 5105 & K – 5106 Loop Powered Indicators are designed and manufactured using the state-of-the-art technology. The instrument is a 2-wire indicator for 4–20 mA process signals with Liquid Crystal Display.

Process variables such as Temperature, Flow, Pressure, Level are digitally displayed in Engineering units or in

percentage. Additional power source is not required as the operational power for the unit is derived directly from the current loop.

Panel mounted versions in ABS Plastic enclosure or field mounted versions with Die Cast Aluminium weatherproof and explosionproof enclosures are available as per customers choice.

TECHNICAL SPECIFICATIONS

	Model K – 5105	Model K – 5106
Input	4 – 20 mA or 10 – 50 mA	4 – 20 mA or 10 – 50 mA
Protection	200 mA max. Forward; 1000 mA Max. Reverse	200 mA max. Forward; 1000 mA Max. Reverse
Voltage Drop	3.5V max. Forward; 1.2V max. Reverse	4.5V max. Forward; 1.2V max. Reverse
Span Range	From 0–100 to 0–1999 counts Continuous adjustment	From 0–2000 to 0–20000 counts Continuous adjustment
Zero Range	(–)1999 to (+)1999 Jumper selectable	(–)4000 to (+)4000 counts Jumper selectable
Span Slope	Positive	Positive
Accuracy	±0.1% of reading ±1 count	±0.1% of reading ±1 count
Display	3½ digit LCD, 7 segment, character size 12.7 mm.	4½ digit LCD, 7 segment, character size 10.2 mm.
Over Range	3 least significant digit blank	4 least significant digit blank
Decimal Point	3 position jumper selectable	4 position jumper selectable
Enclosure & Overall Dimensions	Flush Panel Mounting : ABS Plastic — 96 x 48 x 116 mm Field Mounting : Style GP – Cast Aluminium; — 110 x 113 x 117 mm for K–5105 Style GR – Cast Aluminium; — 140 x 110 x 125 mm for K–5106 Weatherproof to IP:66 and Flameproof to Gr.IIA, IIB & IIC of IS:2148	
Ambient Temperature	0 – 50°C.	

ORDERING MATRIX

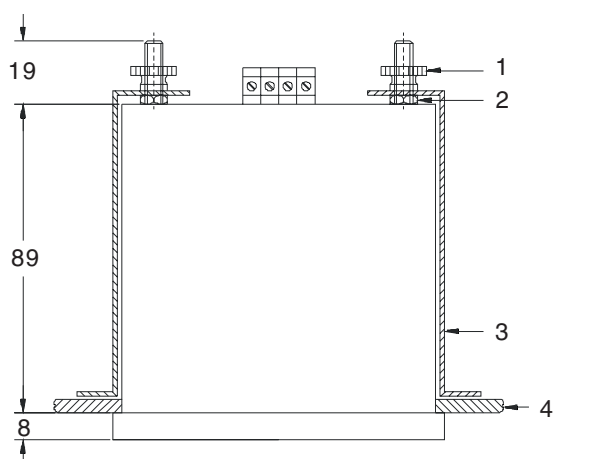
STYLE	K - 5105	0	0
STYLE	K - 5106		
SENSOR INPUT			
4 - 20 mA			0
10 - 50 mA			1
MOUNTING			
Front Panel, ABS Plastic Enclosure			0
Field, Die Cast Al. Weatherproof to IP:66			1
Field, Die Cast Al. Explosionproof to Gr.IIA, IIB & Gr.IIC and Weatherproof to IP : 66			2

NOTES

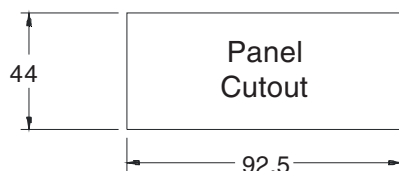
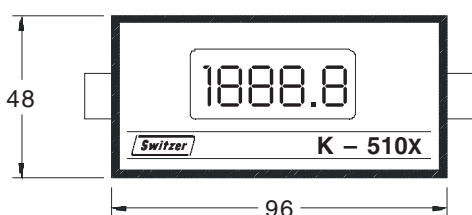
1. Decimal point is selectable by jumpers located on main PC board.
2. Both zero and span are adjustable through front access multiturn potentiometers after removing the front lens.
3. Please specify display required at 4 mA & 20 mA with engineering units, while ordering for calibration at works.
4. If calibration in engineering units is not specified, the Loop powered indicator will be factory calibrated to display 0 to 100.0%.

OVERALL AND MOUNTING DIMENSIONS

Panel Mounting

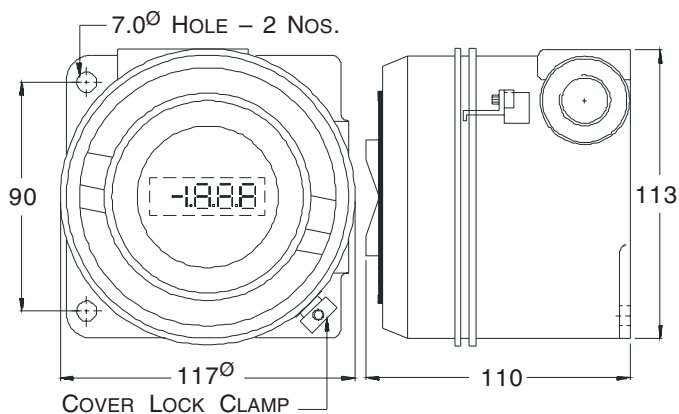


1. Clamp Nut 3. Clamp
2. Lock Nut 4. Panel (Max. Thickness 5 mm)

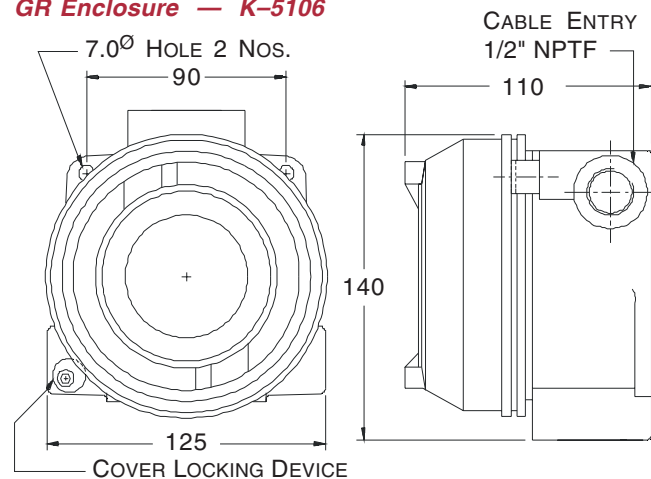


Field Mounting

GP Enclosure — K-5105



GR Enclosure — K-5106



All dimensions are in mm

Prior notification of changes in specifications is impracticable due to continuous improvement.

FOR SWITZER'S OFFICES IN INDIA

CHECK AT:

<http://www.switzerinstrument.com/offices.htm>