



ROTARY PADDLE LEVEL SWITCH

SE 250



WORKING PRINCIPLE

The transmission shaft and clutch of the unit connect together. During normal operation, without any material in tank the motor rotates the paddle at 1 RPM. When the paddle rotation is impeded by material, surrounding the paddle, motor will stall and cause the Microswitch to change status to generate an alarm or provide on-off control.

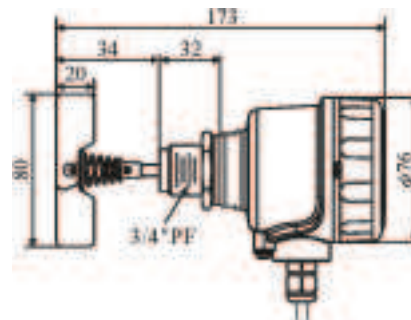
PRODUCT FEATURES

- Folded paddle – Eliminates dismantling during installation.
- Sturdy and durable aluminium housing
- Suitable for outdoor application.
- Unique sealing ring design, to prevent dust from permeating into the housing body through the shaft.
- Simple design, easy to install.
- If there is an overload on paddle, the motor will slide automatically to prevent the inside mechanism from damaged.

APPLICATIONS

Suitable for chemical, plastic, pharmacy, feed, cement, fertilizer, food and processing Industries.

PRODUCT DIMENSION



PRODUCT SPECIFICATION

Power Supply	110V AC, 220V AC 240V AC 50 / 60 Hz; 24V DC
Consumption	1.5W (AC), 3W (24V DC)
Contact Capacity	3A / 250V AC
Paddle Rotary Speed	1 RPM
Operation Temperature	-20 to 70°C
Measuring Torque	25 to 155 g Cm
Specific Gravity	0.3g/Cm ³
Standard Connection	3/4" BSPM
Cable Entry	PVC Cable Entry 22 AWG, 300mm length

Product from FineTek

This is not a contractual document. Prior notification of changes in specifications is impracticable due to continuous improvement

FOR **SWITZER'S** OFFICES IN INDIA

CHECK AT:

<http://www.switzerinstrument.com/offices.htm>