



PRESSURE TRANSMITTER

K – 702
K – 703

- HERMETICALLY SEALED SILICON WAFER SENSOR ● 316 SS WETTED PARTS ●
- RANGES 0–1 BAR TO 0–350 BAR ● HIGH ACCURACY ●
- INTRINSICALLY SAFE VERSION ●



K – 702



K – 703

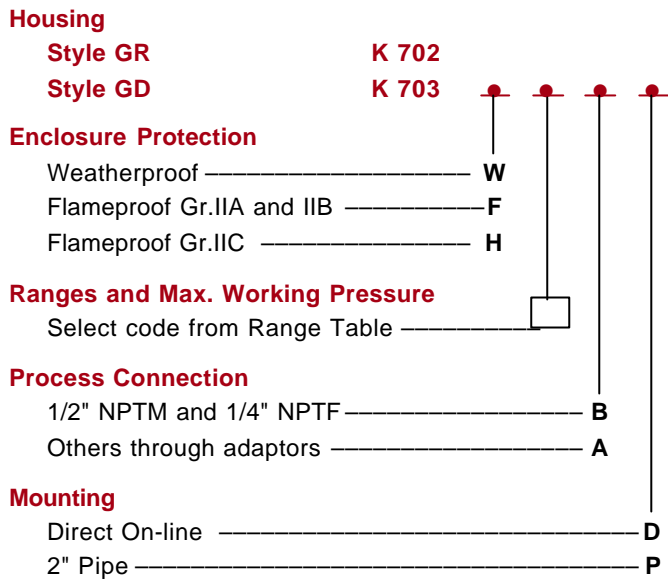
SWITZER K-702 / K-703 Pressure Transmitters utilise the latest thin Film technology and high stability electronics to give exceptional performance and endurance. The transmitters measure gauge pressure of liquids, gases and vapours. The

process pressure is converted into standard Analog DC signal of 4–20 mA proportional to the input pressure. High stable electronics with full temperature compensation ensures minimal drift with ambient and process temperature changes.

GENERAL SPECIFICATIONS

Design	2-wire Intrinsically safe in K-702	Output	4 – 20 mA
Sensor Type	Piezo resistive element with 316 SS protective diaphragm	Output Current Limit	27 mA (max.); 2.5 mA (min.)
Enclosure		Power Supply	9 – 30V DC; 24V DC nominal
Style	GR for Model K-702 GD for Model K-703	Response Time	< 100 mSec.
Material	Cast Aluminium for K-702 SS for K-703	Load Capability	750 Ohms @ 24V DC
Protection	Weatherproof to IP:66 and Flameproof to Gr.IIA, IIB & IIC of IS:2148 Intrinsically safe : std. in K-702	Connection	
Turn-down Ratio	4 : 1	Process	1/4" NPTF & 1/2" NPTM
Accuracy	Better than $\pm 0.25\%$	Electrical	1/2" NPTF
		Temperature Limits	
		Process	0°C to +100°C
		Ambient	0°C to 70°C
		Mounting	Direct on-line or 2" pipe

ORDERING MATRIX

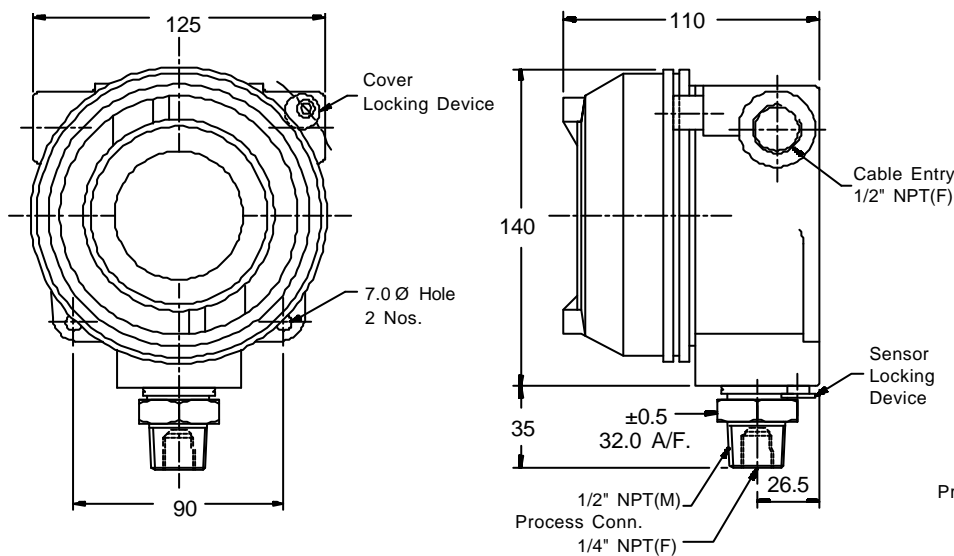


RANGE TABLE

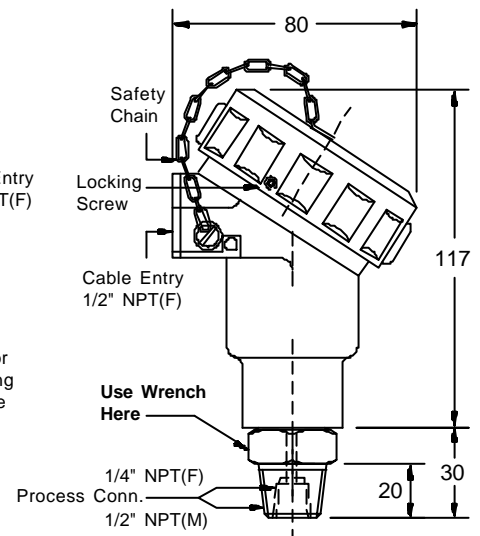
Range Code	Range (bar)	MWP (bar)
J	0 to 1	3
K	0 to 2	6
L	0 to 3.5	10
M	0 to 7	20
N	0 to 20	60
Q	0 to 35	100
R	0 to 70	200
S	0 to 200	600
T	0 to 350	600

MOUNTING DIMENSIONS

MODEL K - 702



MODEL K - 703



All dimensions are in mm

Prior notification of changes in specifications is impracticable due to continuous improvement.

FOR **SWITZER'S** OFFICES IN INDIA

CHECK AT:

<http://www.switzerinstrument.com/offices.htm>